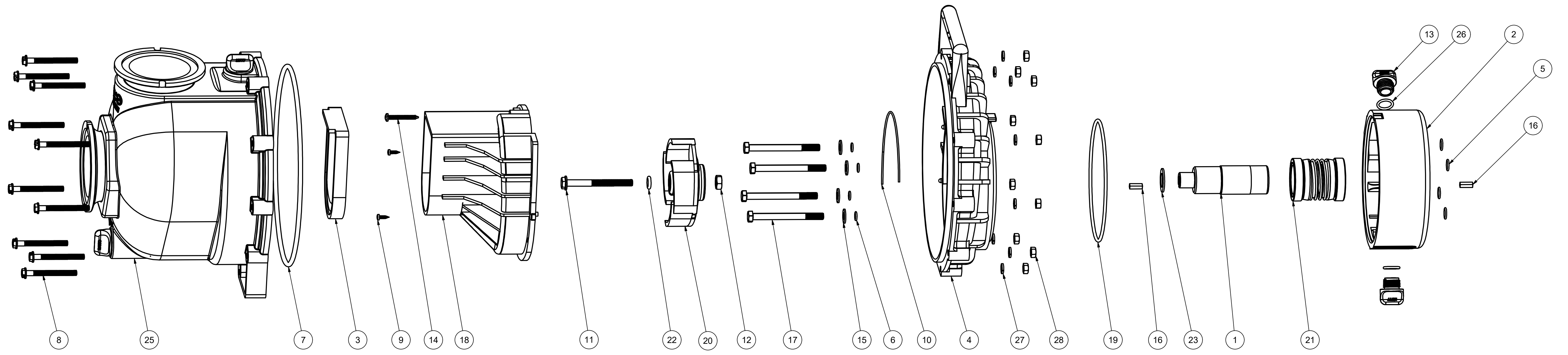



Parts List			
ITEM	QTY	PART NUMBER	DESCRIPTION
1	1	12155	ADAPTER SHAFT
2	1	12202W	2" POLY RESERVOIR
3	1	12705	PUMP CHECKVALVE, EPDM
4	1	12707W	2" W.S. REAR BRACKET
5	4	12709	#13 O-RING, EPDM
6	4	12717	#11 O-RING, EPDM
7	1	12719A	#375 O-RING, EPDM
8	10	12720	1/4-20 X 2 1/2" SL IND HWHS
9	2	12725	#6 X 1/2" PPH SMS
10	1	12754	O-RING SEGMENT
11	1	12766	5/16-24 X 3 1/4" HFS
12	1	12775A	7/16-14 HEX NUT
13	2	12777	1/2" DRAIN PLUG
14	1	12900	#10 X 1 1/2" PPH SMS
15	4	12901	5/16" FLAT WASHER
16	2	12902A	3/16" SQ. X 5/8" KEY
17	4	13034	5/16-24 X 3 1/2" HHCS
18	1	13702	3" POLY PUMP VOLUTE
19	1	13719	#256 O-RING, EPDM
20	1	13771	3" POLY PUMP TRIMMED IMPELLER
21	1	15035E	MECH. SEAL ASSY, EPDM
22	1	A204	#204 O-RING, EPDM
23	1	CV10175	GASKET
24	1	KK-57	WET SEAL WARNING TAG (N/S)
25	1	M13712	3" MNFLD POLY PUMP BODY ASSY.
26	2	UV15163	#114 O-RING, EPDM
27	10	V07018	1/4" LOCKWASHER
28	10	V07019	1/4-20 HEX NUT



THIS DRAWING AND ALL INFORMATION CONTAINED THEREON ARE THE EXCLUSIVE PROPERTY OF BANJO CORPORATION.

UNLESS SPECIFICALLY NOTED, THIS DRAWING AND ITEMS SHOWN ON THIS DRAWING ARE SUBJECT TO CHANGE AT ANY TIME.



BANJO CORPORATION
 150 BANJO DRIVE, CRAWFORDSVILLE, IN 47933
 WEB SITE: WWW.BANJOCORP.COM
 E-MAIL: BANJOSALES@IDEXCORP.COM

DESCRIPTION
3" POLY WET SEAL PUMP, 3/4" SHAFT, MANIFOLD

PART NUMBER
M300POW6